

GRUP 30 MOTORLARIN KODLAMA SİSTEMİ  
ORDERING CODE OF GROUP30 MOTORS

APM30 . 340 . R A B 02 E G O N

Motor Tipi  
Motor Type

İletim Hacmi / Displacement cm <sup>3</sup> /dev (cm <sup>3</sup> /rev)
170 = 17 cm <sup>3</sup> /dev (cm <sup>3</sup> /rev)
220 = 22 cm <sup>3</sup> /dev (cm <sup>3</sup> /rev)
270 = 27 cm <sup>3</sup> /dev (cm <sup>3</sup> /rev)
320 = 32 cm <sup>3</sup> /dev (cm <sup>3</sup> /rev)
340 = 34 cm <sup>3</sup> /dev (cm <sup>3</sup> /rev)
380 = 38 cm <sup>3</sup> /dev (cm <sup>3</sup> /rev)
430 = 43 cm <sup>3</sup> /dev (cm <sup>3</sup> /rev)
470 = 47 cm <sup>3</sup> /dev (cm <sup>3</sup> /rev)
510 = 51 cm <sup>3</sup> /dev (cm <sup>3</sup> /rev)
560 = 56 cm <sup>3</sup> /dev (cm <sup>3</sup> /rev)
610 = 61 cm <sup>3</sup> /dev (cm <sup>3</sup> /rev)
730 = 73 cm <sup>3</sup> /dev (cm <sup>3</sup> /rev)
820 = 82 cm <sup>3</sup> /dev (cm <sup>3</sup> /rev)
900 = 90 cm <sup>3</sup> /dev (cm <sup>3</sup> /rev)
1000 = 100 cm <sup>3</sup> /dev (cm <sup>3</sup> /rev)

Dönüş Yönü / Rotation
A = Sol dönüş / Counter-clockwise
C = Sağ dönüş / Clockwise
R = Çift dönüş / Reversible

Ön Yatak Outboard Bearing
O Var / Available
Yok / Absent

Keçe / Seal
N NBR
V Viton

Sızıntı Hattı Drain Line
G G1/4"
U 7/16-20 UNF
M M12x1,5

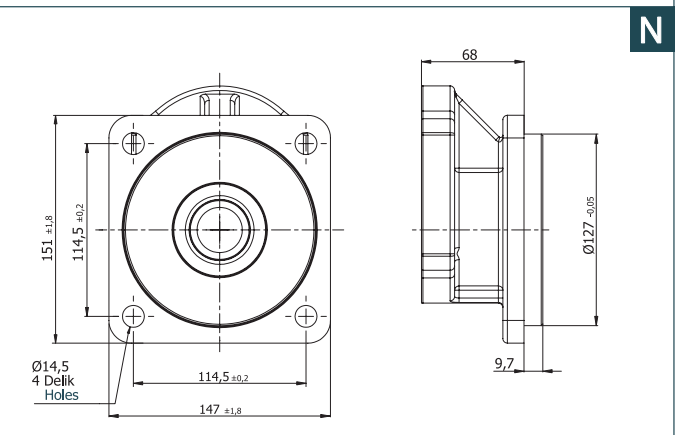
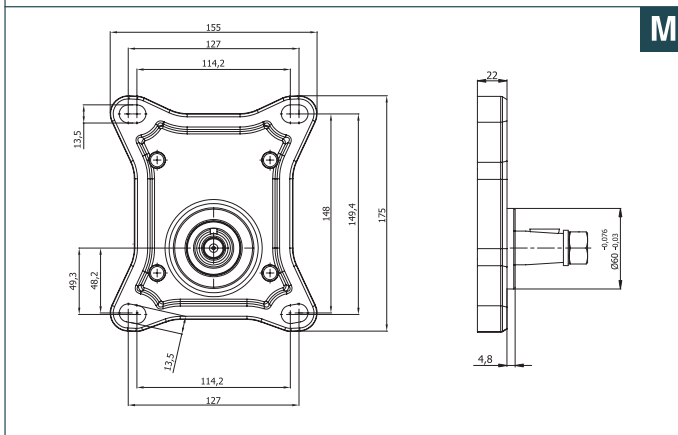
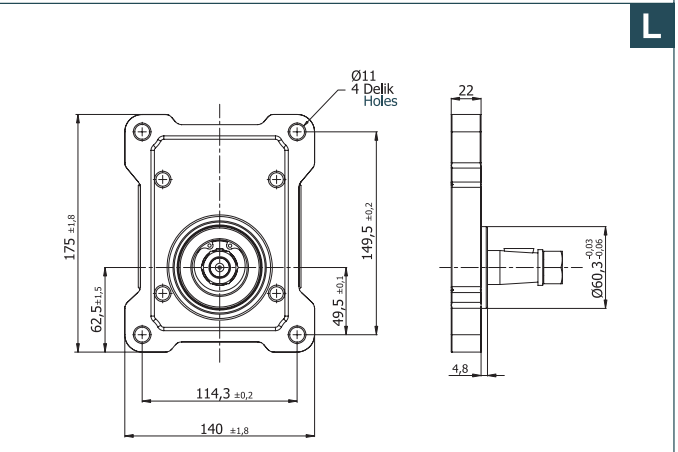
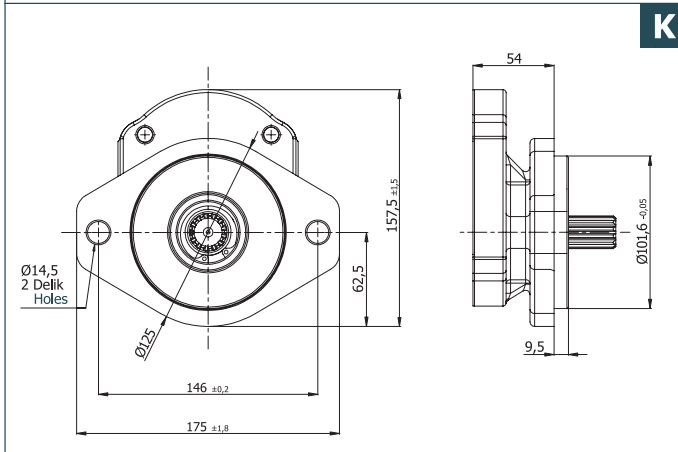
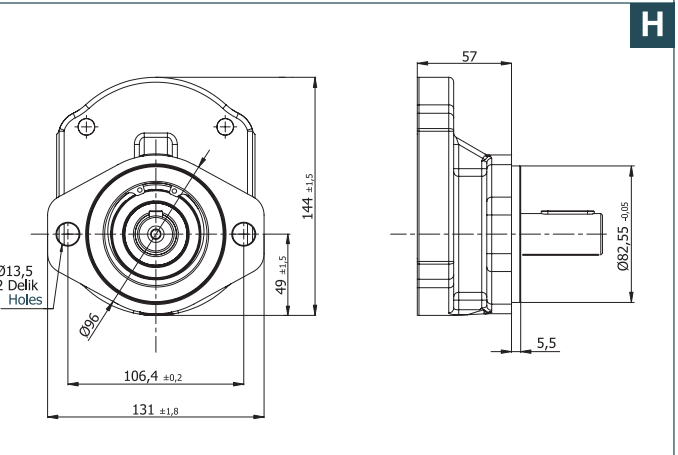
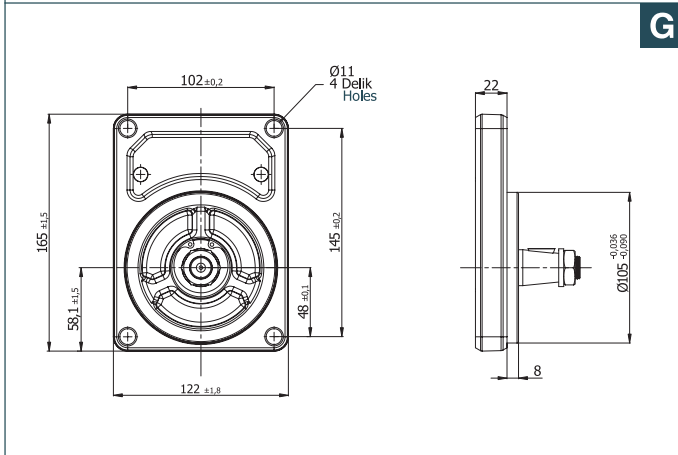
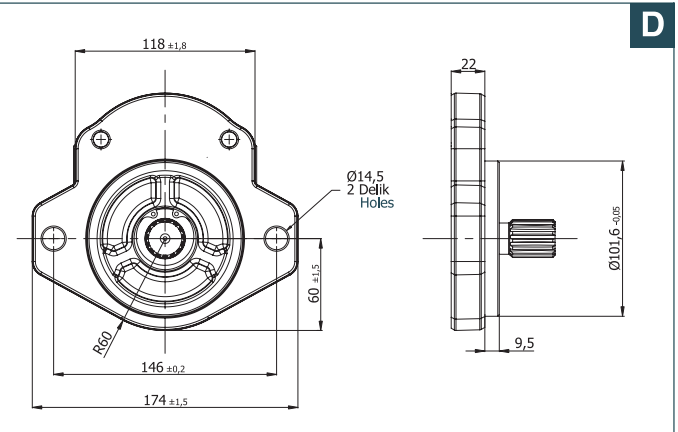
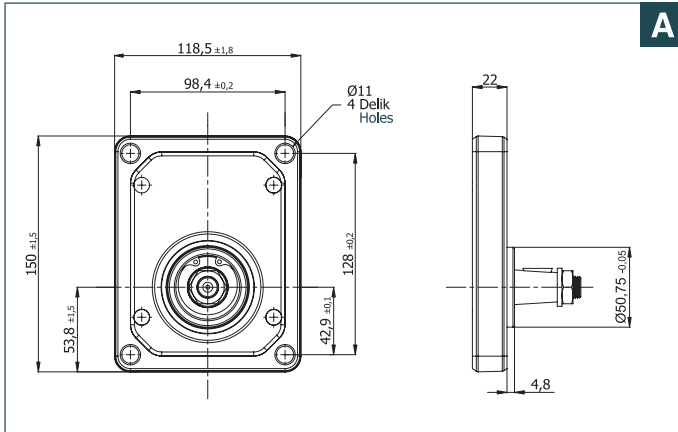
Arka Kapak / Rear Cover
S Standart Standard
E Arkadan Giriş Çıkış Rear Port
R1 Emniyet Valfi (10-90 Bar) Relief Valve
R2 Emniyet Valfi (70-140 Bar) Relief Valve
R3 Emniyet Valfi (120-190 Bar) Relief Valve
D Akış Bölücü Valf Flow Divider Valve
H Emniyet Valfli Akış Kontrol Valfi Flow Control Valve With Relief Valve
L Yük Duyarlı Valf Load Sensing Valve
T Çek Valf Check Valve
P Arkadan Giriş-Çıkış Rear Inlet-Outlet
C Basınç Kompansatörlü Akış Kontrol Valfi Flow Control Valve Pressure Compensated

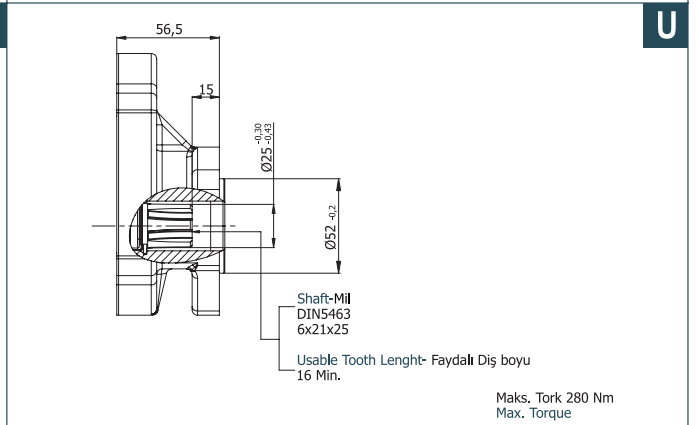
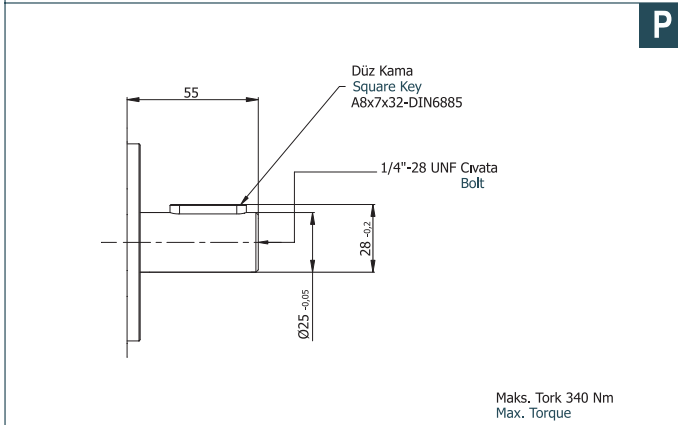
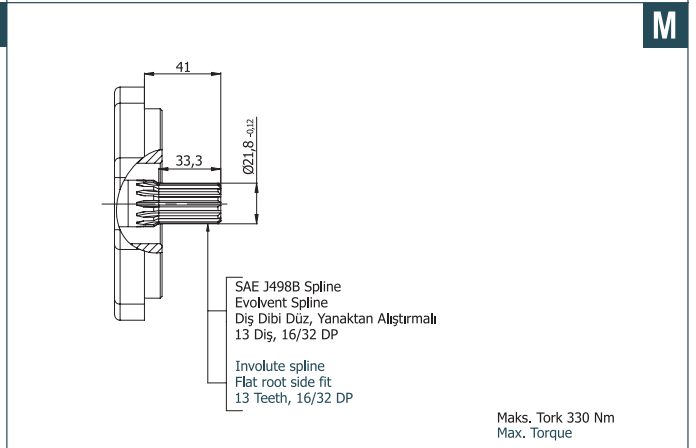
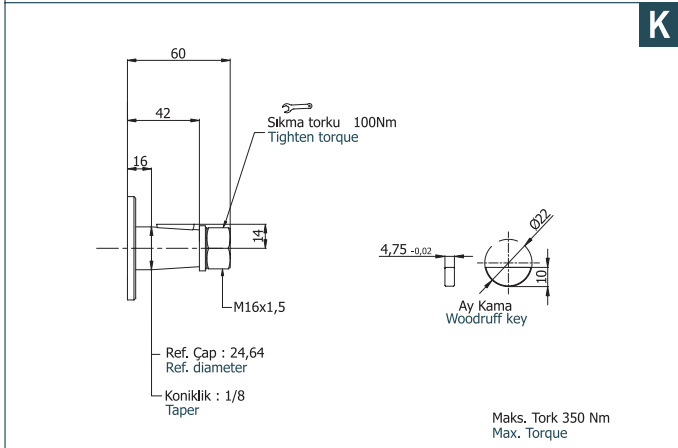
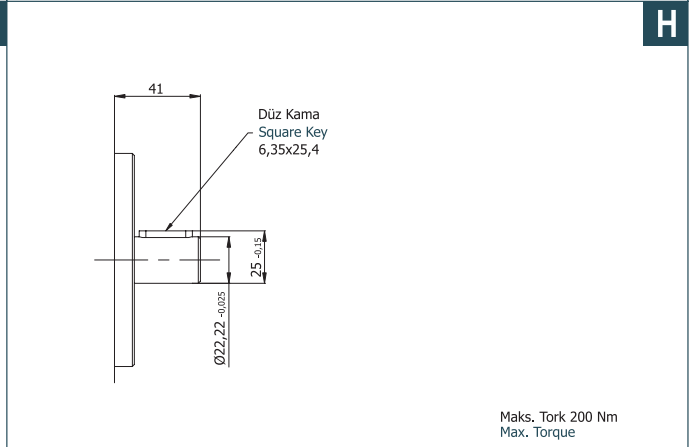
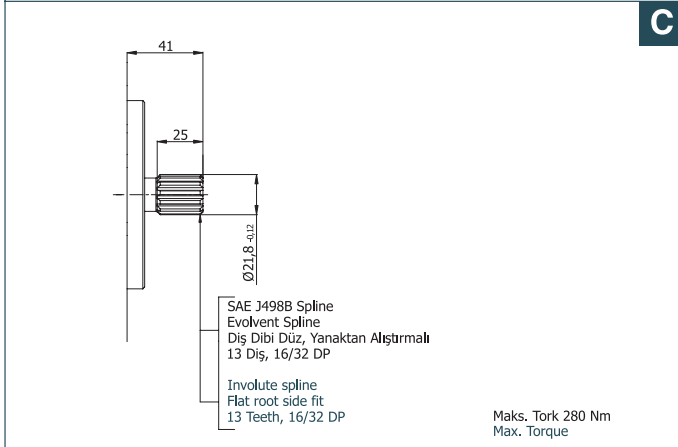
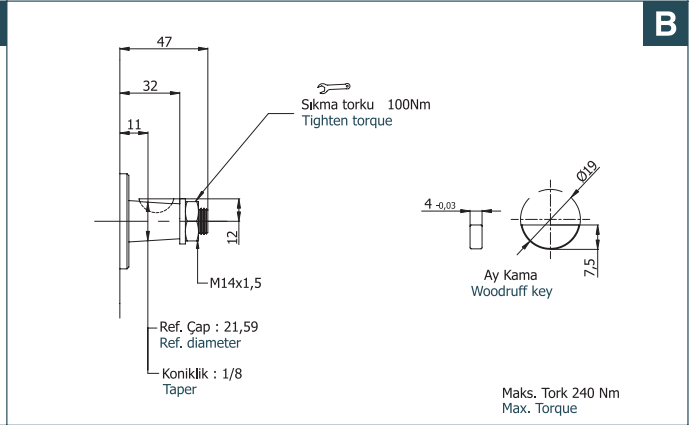
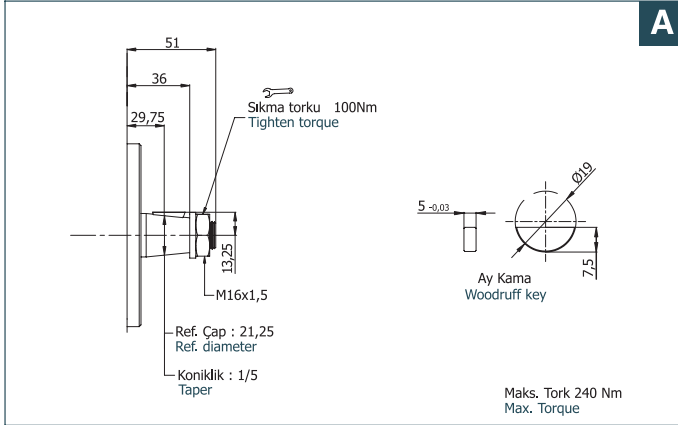
Ön Kapak / Front Cover		
A	Dikdörtgen kapak Square flange	Ø50,78 mm
D	2 Civatalı SAEJ 744 101-2B 2 Bolts SAEJ 744 101-2B	Ø101,6 mm
G	Dikdörtgen kapak Square flange	Ø105 mm
H	2 Civatalı SAE 'A' 2 Bolts SAE 'A'	Ø82,55 mm
K	2 Civatalı SAE 'B' 2 Bolts SAE 'B'	Ø101,6 mm
L	Dikdörtgen kapak Square flange	Ø60,3 mm
S	3 Civatalı UNI Tipi 3 Bolts UNI Type	Ø52 mm
M	Dikdörtgen kapak Square flange	Ø60 mm
N	SAE 4 Civatalı SAE 4 Bolts	Ø127 mm

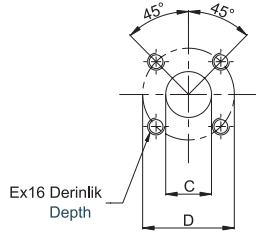
Tahrik şaftı / Drive Shaft		
A	Konik - Kamalı Tapered key shaft	1:5
B	Konik - Kamalı Tapered key shaft	1:8
C	SAE spline şaft 13 diş SAE spline shaft 13T	
D	SAE spline şaft 15 diş SAE spline shaft 15T	
H	Paralel şaft Parallel shaft	
K	Konik - Kamalı Tapered key shaft	1:8
M	SAE spline şaft J498B 13 diş SAE spline shaft J498B 13T	
P	Paralel şaft Parallel shaft	
U	DIN 5463 spline şaft 6 diş DIN 5463 spline shaft 6T	

Giriş - Çıkış Delikleri / Inlet and Outlet Ports		
01	Kare tip Rectangular	
02	Baklava tip Diamond	
03	SAE Dikdörtgen Flanş Metrik diş SAE Square Flange Thread Metric	
04	UN-2B diş UN-2B thread	
05	Boru diş Pipe thread	
06	SAE Dikdörtgen Flanş UNC diş SAE Square Flange Thread UNC	

- Kodlama Örneği ; APM30.340.RAB02EGN  
Code Example

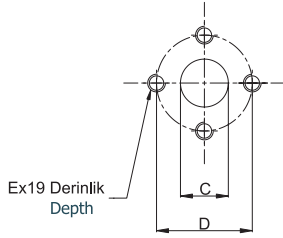






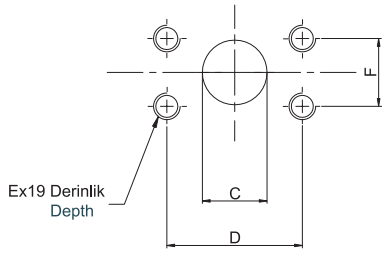
**01** Kare Tipi Flanş  
Rectangular Flange

Sipariş Kodu Ordering Code	İletim Hacmi Displacement cm <sup>3</sup> /dev (rev)	Emiş Tarafı Suction Side			Basınç Tarafı Pressure Side		
		C	D	E	c	d	e
⊕	17 - 100	27	55	M8x16	19	55	M8x16
	17 - 32	19	55	M8x16	19	55	M8x16
⊖	34 - 100	27			27		



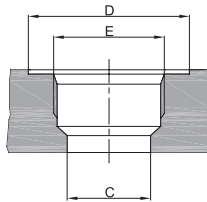
**02** Baklava Tipi Flanş  
Diamond Flange

Sipariş Kodu Ordering Code	İletim Hacmi Displacement cm <sup>3</sup> /dev (rev)	Emiş Tarafı Suction Side			Basınç Tarafı Pressure Side		
		C	D	E	c	d	e
⊕	17 - 61	27	51	M10x19	19	40	M8x16
	73 - 100	33	62	M12x19	27	51	M10x19
⊖	17 - 38	20	40	M8x16	20	40	M8x16
	43 - 90	27	51	M10x16	27	51	M10x16
	100	33	62	M12x19	33	62	M12x19



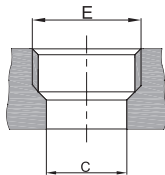
**03** SAE Dikdörtgen Flanş Metrik Diş  
SAE Square Flange Metric Thread

Sipariş Kodu Ordering Code	İletim Hacmi Displacement cm <sup>3</sup> /dev (rev)	Emiş Tarafı Suction Side				Basınç Tarafı Pressure Side			
		C	D	E	F	c	d	e	f
⊕	17 - 22	19	47,6	M8x16	22,2	12,5	38,1	M8x16	17,5
	27 - 34	25,4	52,4	M10x19	26,2	19	47,6	M8x16	22,2
	38 - 51	30,5	58,7	M10x19	30,2	25,4	52,4	M10x19	26,2
	56 - 82	39,3	69,8	M12x19	35,7	30,5	58,7	M10x19	30,2
	90 - 100	51	77,8	M12x19	42,9	39,3	69,8	M12x19	35,7
⊖	17 - 27	19	47,6	M10x19	22,2	19	47,6	M10x19	22,2
	32 - 43	25,4	52,4	M10x19	26,2	25,4	52,4	M10x19	26,2
	47 - 56	30,5	58,7	M10x19	30,2	30,5	58,7	M10x19	30,2
	61 - 100	39,3	69,8	M12x19	35,7	39,3	69,8	M12x19	35,7



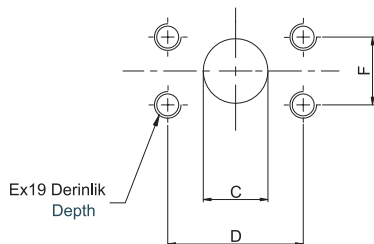
**04** Diş / Thread  
(UN-2B) SAE Oring Boss

Sipariş Kodu Ordering Code	İletim Hacmi Displacement cm <sup>3</sup> /dev (rev)	Emiş Tarafı Suction Side			Basınç Tarafı Pressure Side		
		C	D	E	c	d	e
⊕	17 - 34	30,5	49	1 5/16"-12 UN-2B	25	42	1 1/16"-12 UN-2B
	38 - 51	39	58	1 5/8"-12 UN-2B	30,5	49	1 5/16"-12 UN-2B
	56 - 100	45	65	1 7/8"-12 UN-2B	39	58	1 5/8"-12 UN-2B
⊖	17 - 27	25	42	1 1/16"-12 UN-2B	25	42	1 1/16"-12 UN-2B
	32 - 47	30,5	49	1 5/16"-12 UN-2B	30,5	49	1 5/16"-12 UN-2B
	51 - 82	39	58	1 5/8"-12 UN-2B	39	58	1 5/8"-12 UN-2B
	90 - 100	45	65	1 7/8"-12 UN-2B	45	65	1 7/8"-12 UN-2B



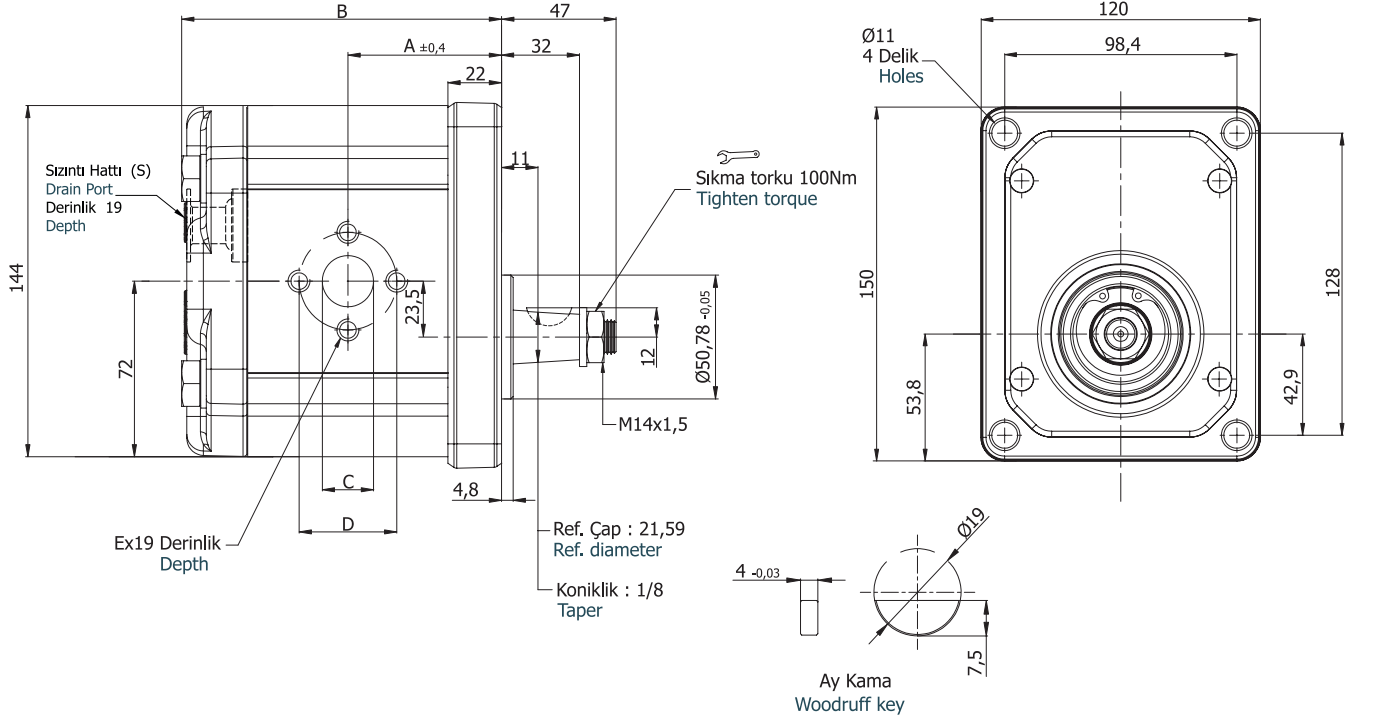
**05** Boru diş / Pipe Thread  
ISO228/1

Sipariş Kodu Ordering Code	İletim Hacmi Displacement cm <sup>3</sup> /dev (rev)	Emiş Tarafı Suction Side		Basınç Tarafı Pressure Side	
		C	E	c	e
⊕	17 - 51	30,5	G 1"	30,5	G 1"
	56 - 73	39	G 1 1/4"		
	82 - 100	45	G 1 1/2"		
⊖	17 - 61	30,5	G 1"	30,5	G 1"
	73 - 82	39	G 1 1/4"		
	90 - 100	45	G 1 1/2"		



**06** SAE Dikdörtgen Flanş UNC Diş  
SAE Square Flange UNC Thread

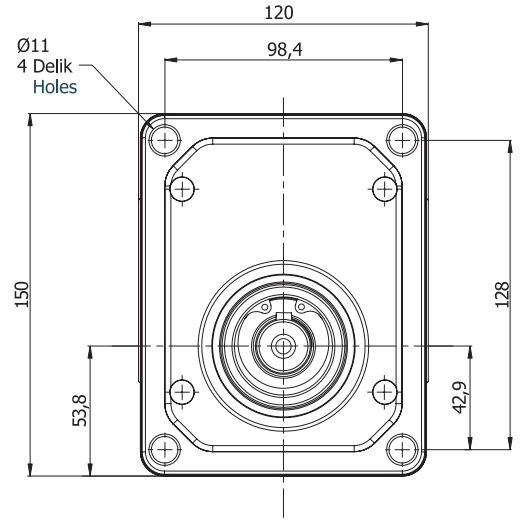
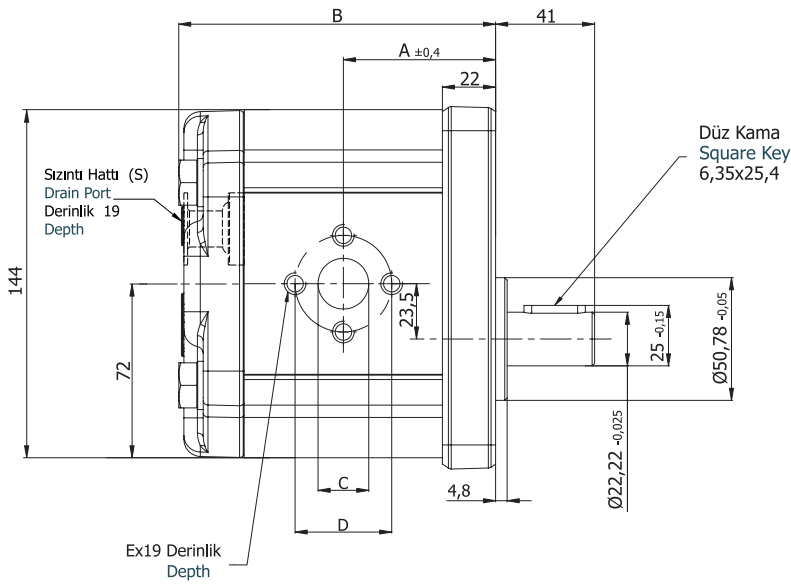
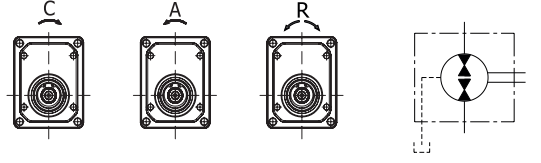
Sipariş Kodu Ordering Code	İletim Hacmi Displacement cm <sup>3</sup> /dev (rev)	Emiş Tarafı Suction Side				Basınç Tarafı Pressure Side			
		C	D	E	F	c	d	e	f
⊕	17 - 22	19	47,6	3/8-16 UNC-2B	22,2	12,5	38,1	5/16-18 UNC-2B	17,5
	27 - 34	25,4	52,4			26,2	19		52,4
	38 - 51	30,5	58,7	7/16-14 UNC-2B	30,2	25,4	52,4	3/8-16 UNC-2B	26,2
	56 - 82	39,3	69,8	1/2-13 UNC-2B	35,7	30,5	58,7	7/16-14 UNC-2B	30,2
	90 - 100	51	77,8			42,9	39,3	69,8	1/2-13 UNC-2B
⊖	17 - 27	19	47,6	3/8-16 UNC-2B	22,2	19	47,6	3/8-16 UNC-2B	22,2
	32 - 43	25,4	52,4			26,2	25,4		52,4
	47 - 56	30,5	58,7	7/16-14 UNC-2B	30,2	30,5	58,7	7/16-14 UNC-2B	30,2
	90 - 100	39,3	69,8			35,7	39,3		69,8

**A** Ön Kapak  
Front Cover**B** Şaft Tipi  
Shaft Type

Motor Tipi Motor Type	İletim Hacmi Displacement cm <sup>3</sup> /dev(cm <sup>3</sup> /rev)	Maks. Basınç Max. Pressure (bar)	Maks. Hız Max. Speed d/d (rpm)	A ±0,4	B	Giriş/Çıkış – Inlet/Outlet			Sızıntı - Drain
						C	D	E	S
APM30.170.RAB02EGN	17,0	250	3000	59,5	124,1	20	55	M8x16	G 3/8
APM30.220.RAB02EGN	22,0			61,5	128,1				
APM30.270.RAB02EGN	27,0			63,0	131,1				
APM30.320.RAB02EGN	32,0			64,5	134,1				
APM30.340.RAB02EGN	34,0			65,0	135,1				
APM30.380.RAB02EGN	38,0			66,5	138,1				
APM30.430.RAB02EGN	43,0	230	2500	68,0	141,1	27	55	M8x16	G 3/8
APM30.470.RAB02EGN	47,0			69,5	144,1				
APM30.510.RAB02EGN	51,0			70,5	146,1				
APM30.560.RAB02EGN	56,0	200	1750	71,5	148,1	34	55	M8x16	G 3/8
APM30.610.RAB02EGN	61,0	180	1500	74,0	153,1				
APM30.730.RAB02EGN	73,0	170	1500	77,0	160,1				
APM30.820.RAB02EGN	82,0	160	1500	80,0	166,1				
APM30.900.RAB02EGN	90,0	150	1500	83,0	172,1	34	55	M8x16	G 3/8
APM30.1000.RAB02EGN	100,0	140	1500	86,0	178,1				

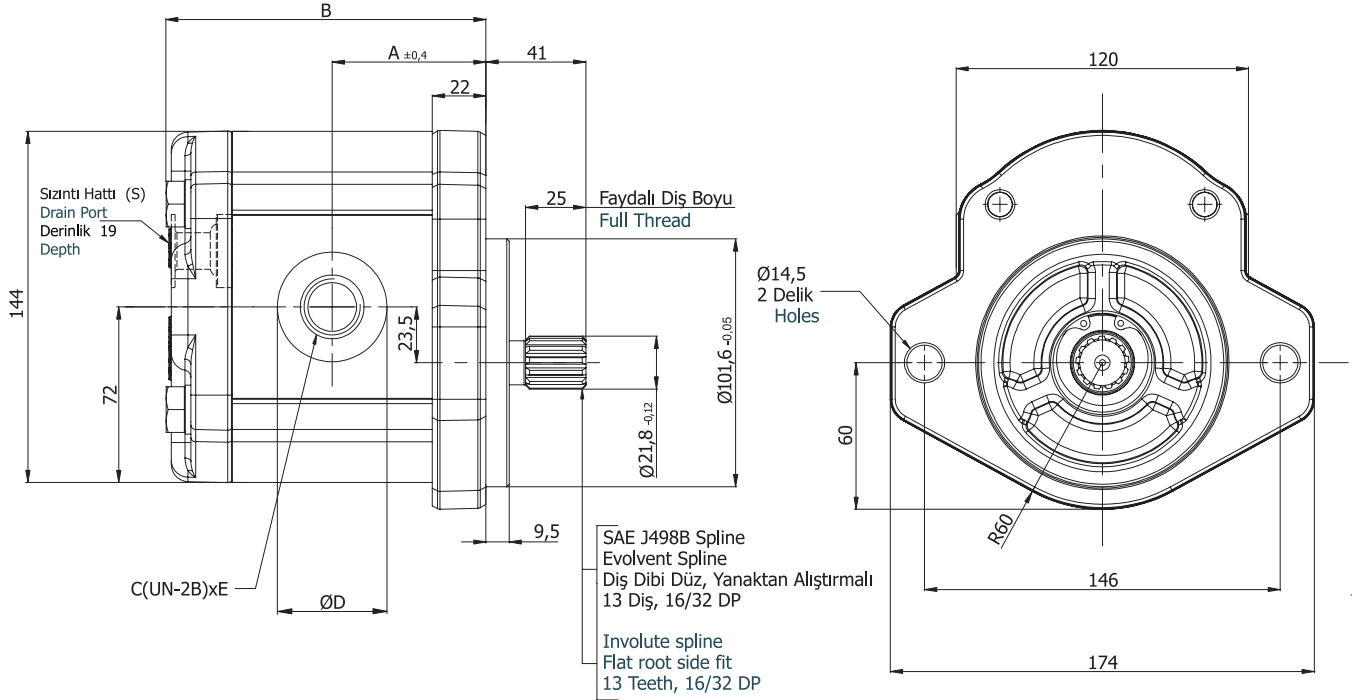
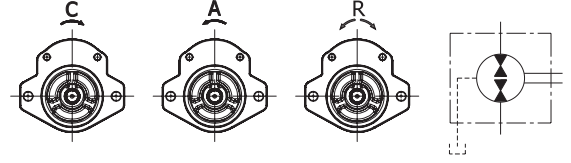
**A** Ön Kapak  
Front Cover

**H** Şaft Tipi  
Shaft Type



Motor Tipi Motor Type	İletim Hacmi Displacement cm <sup>3</sup> /dev(cm <sup>3</sup> /rev)	Maks. Basınç Max. Pressure (bar)	Maks. Hız Max. Speed d/d (rpm)	A ±0,4	B	Giriş/Çıkış – Inlet/Outlet			Sızıntı - Drain
						C	D	E	S
APM30.170.RAH02EGN	17,0	250	3000	59,5	124,1	20	40	M8x16	G 3/8
APM30.220.RAH02EGN	22,0			61,5	128,1				
APM30.270.RAH02EGN	27,0			63,0	131,1				
APM30.320.RAH02EGN	32,0	64,5		134,1					
APM30.340.RAH02EGN	34,0	65,0		135,1					
APM30.380.RAH02EGN	38,0	66,5		138,1					
APM30.430.RAH02EGN	43,0	230	2500	68,0	141,1	27	51	M8x16	
APM30.470.RAH02EGN	47,0			69,5	144,1				
APM30.510.RAH02EGN	51,0			70,5	146,1				
APM30.560.RAH02EGN	56,0	200	71,5	148,1					
APM30.610.RAH02EGN	61,0	180	1750	74,0	153,1				
APM30.730.RAH02EGN	73,0	170	1500	77,0	160,1				
APM30.820.RAH02EGN	82,0	160		80,0	166,1				
APM30.900.RAH02EGN	90,0	150		83,0	172,1				
APM30.1000.RAH02EGN	100,0	140		86,0	178,1	33	62	M12x19	

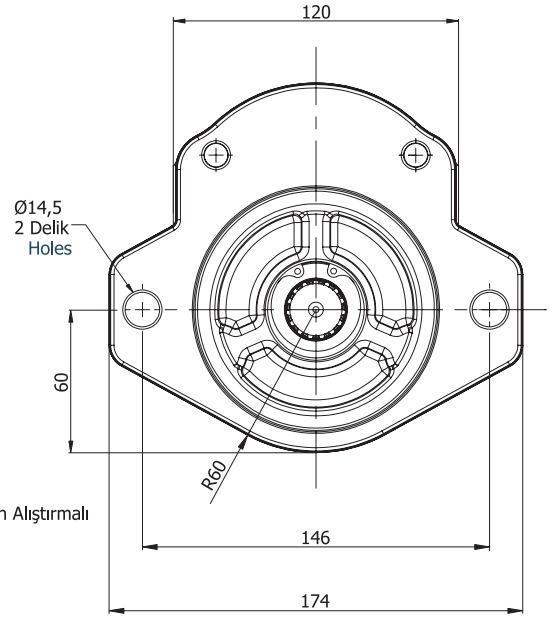
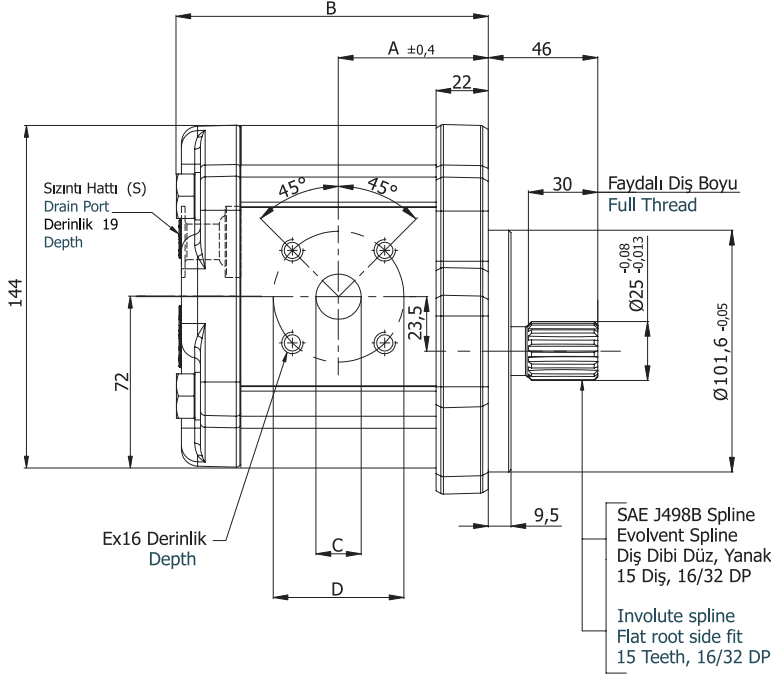
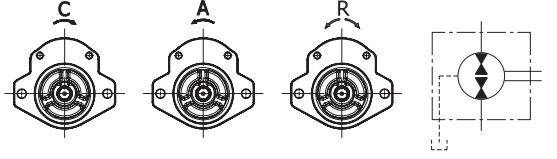
**D** Ön Kapak  
Front Cover

**C** Şaft Tipi  
Shaft Type


Motor Tipi Motor Type	İletim Hacmi Displacement cm <sup>3</sup> /dev(cm <sup>3</sup> /rev)	Maks. Basınç Max. Pressure (bar)	Maks. Hız Max. Speed d/d (rpm)	A ±0,4	B	Giriş/Çıkış – Inlet/Outlet			Sızıntı - Drain
						C	D	E	S
APM30.170.RDC04EUN	17,0	250	3000	59,5	124,1	25	42	1 1/16"-12 UNF-2B	7/16-20 UNF
APM30.220.RDC04EUN	22,0			61,5	128,1				
APM30.270.RDC04EUN	27,0			63,0	131,1				
APM30.320.RDC04EUN	32,0	240		64,5	134,1	30,5	49	1 5/16"-12 UNF-2B	
APM30.340.RDC04EUN	34,0			65,0	135,1				
APM30.380.RDC04EUN	38,0			66,5	138,1				
APM30.430.RDC04EUN	43,0	230	2500	68,0	141,1	39	58	1 5/8"-12 UNF-2B	
APM30.470.RDC04EUN	47,0			69,5	144,1				
APM30.510.RDC04EUN	51,0	210	1500	70,5	146,1	45	65	1 7/8"-12 UNF-2B	
APM30.560.RDC04EUN	56,0	200		71,5	148,1				
APM30.610.RDC04EUN	61,0	180		74,0	153,1				
APM30.730.RDC04EUN	73,0	170		77,0	160,1				
APM30.820.RDC04EUN	82,0	160	80,0	166,1	45	65	1 7/8"-12 UNF-2B		
APM30.900.RDC04EUN	90,0	150	83,0	172,1					
APM30.1000.RDC04EUN	100,0	140	86,0	178,1					

**D** Ön Kapak  
Front Cover

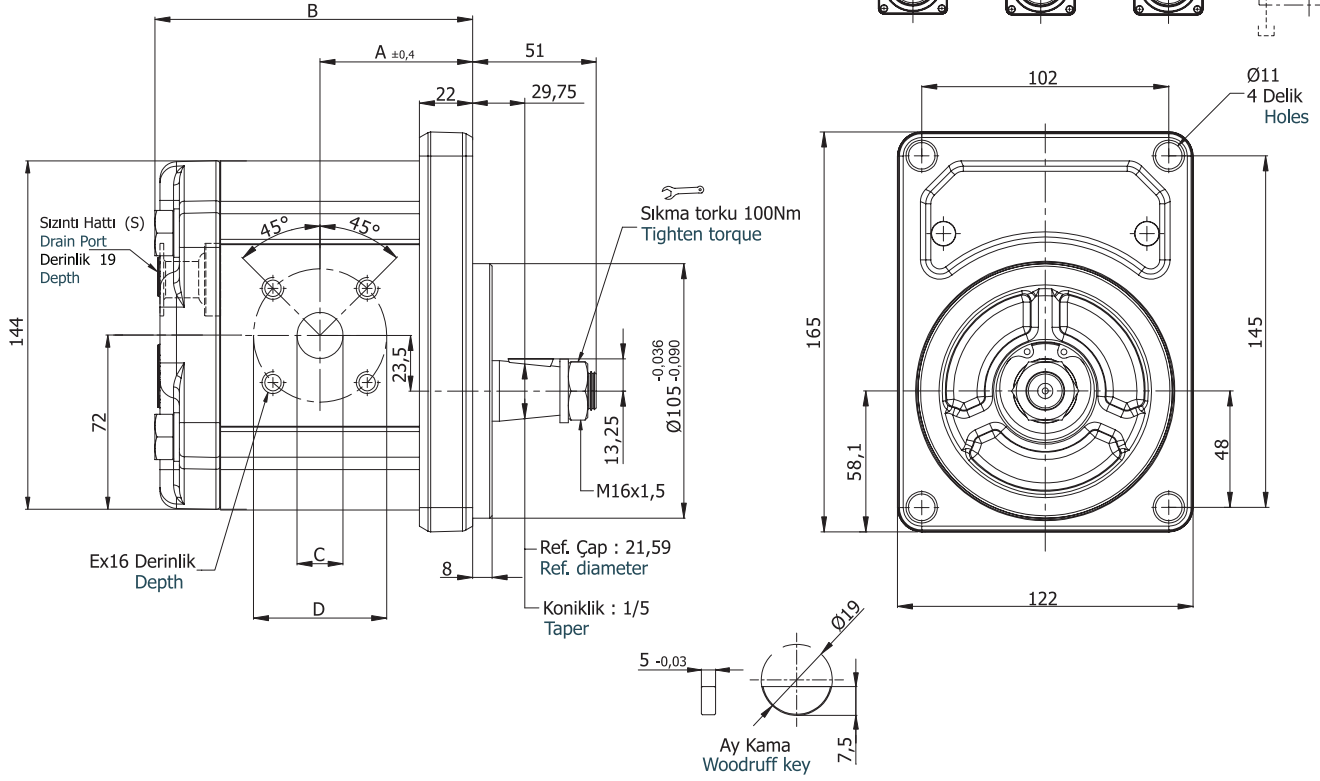
**D** Şaft Tipi  
Shaft Type



Motor Tipi Motor Type	İletim Hacmi Displacement cm <sup>3</sup> /dev(cm <sup>3</sup> /rev)	Maks. Basınç Max. Pressure (bar)	Maks. Hız Max. Speed d/d (rpm)	A ±0,4	B	Giriş/Çıkış – Inlet/Outlet			Sızıntı - Drain
						C	D	E	S
APM30.170.RDD01EGN	17,0	250	3000	59,5	124,1	19	55	M8x16	G 3/8"
APM30.220.RDD01EGN	22,0			61,5	128,1				
APM30.270.RDD01EGN	27,0			63,0	131,1				
APM30.320.RDD01EGN	32,0	240		64,5	134,1	27			
APM30.340.RDD01EGN	34,0			65,0	135,1				
APM30.380.RDD01EGN	38,0			66,5	138,1				
APM30.430.RDD01EGN	43,0	230	68,0	141,1	27				
APM30.470.RDD01EGN	47,0		69,5	144,1					
APM30.510.RDD01EGN	51,0	210	2500	70,5	146,1	27	55	M8x16	G 3/8"
APM30.560.RDD01EGN	56,0	200		71,5	148,1				
APM30.610.RDD01EGN	61,0	180		74,0	153,1				
APM30.730.RDD01EGN	73,0	170	1500	77,0	160,1	27	55	M8x16	G 3/8"
APM30.820.RDD01EGN	82,0	160		80,0	166,1				
APM30.900.RDD01EGN	90,0	150		83,0	172,1				
APM30.1000.RDD01EGN	100,0	140		86,0	178,1				



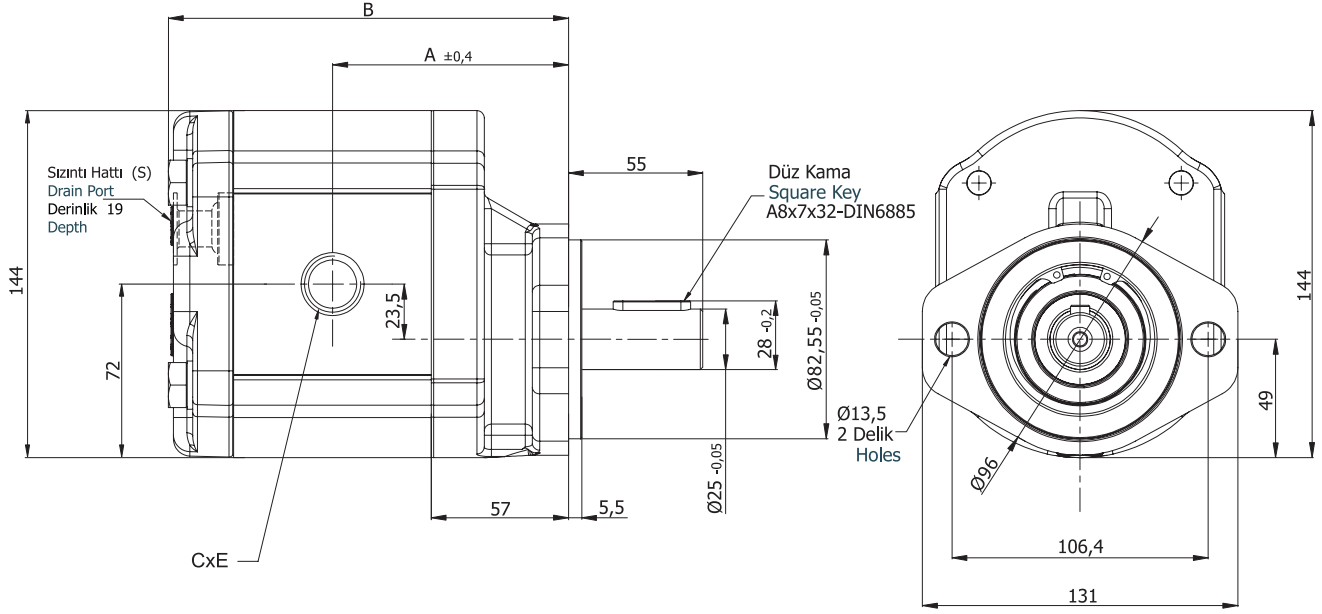
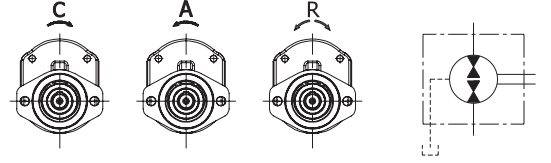
**G** Ön Kapak  
Front Cover

**A** Şaft Tipi  
Shaft Type


Motor Tipi Motor Type	İletim Hacmi Displacement cm <sup>3</sup> /dev(cm <sup>3</sup> /rev)	Maks. Basınç Max. Pressure (bar)	Maks. Hız Max. Speed d/d (rpm)	A <sup>±0,4</sup>	B	Giriş/Çıkış – Inlet/Outlet			Sızıntı - Drain
						C	D	E	S
APM30.170.RGA01EGN	17,0	250	3000	59,5	124,1	19	55	M8x16	G 3/8"
APM30.220.RGA01EGN	22,0			61,5	128,1				
APM30.270.RGA01EGN	27,0			63,0	131,1				
APM30.320.RGA01EGN	32,0	240		64,5	134,1	27			
APM30.340.RGA01EGN	34,0			65,0	135,1				
APM30.380.RGA01EGN	38,0			66,5	138,1				
APM30.430.RGA01EGN	43,0	230	2500	68,0	141,1	27	55	M8x16	G 3/8"
APM30.470.RGA01EGN	47,0			69,5	144,1				
APM30.510.RGA01EGN	51,0			210	70,5				
APM30.560.RGA01EGN	56,0	200	1750	71,5	148,1	27	55	M8x16	G 3/8"
APM30.610.RGA01EGN	61,0	180		74,0	153,1				
APM30.730.RGA01EGN	73,0	170		77,0	160,1				
APM30.820.RGA01EGN	82,0	160		80,0	166,1				
APM30.900.RGA01EGN	90,0	150	1500	83,0	172,1	27	55	M8x16	G 3/8"
APM30.1000.RGA01EGN	100,0	140		86,0	178,1				

**H** Ön Kapak  
Front Cover

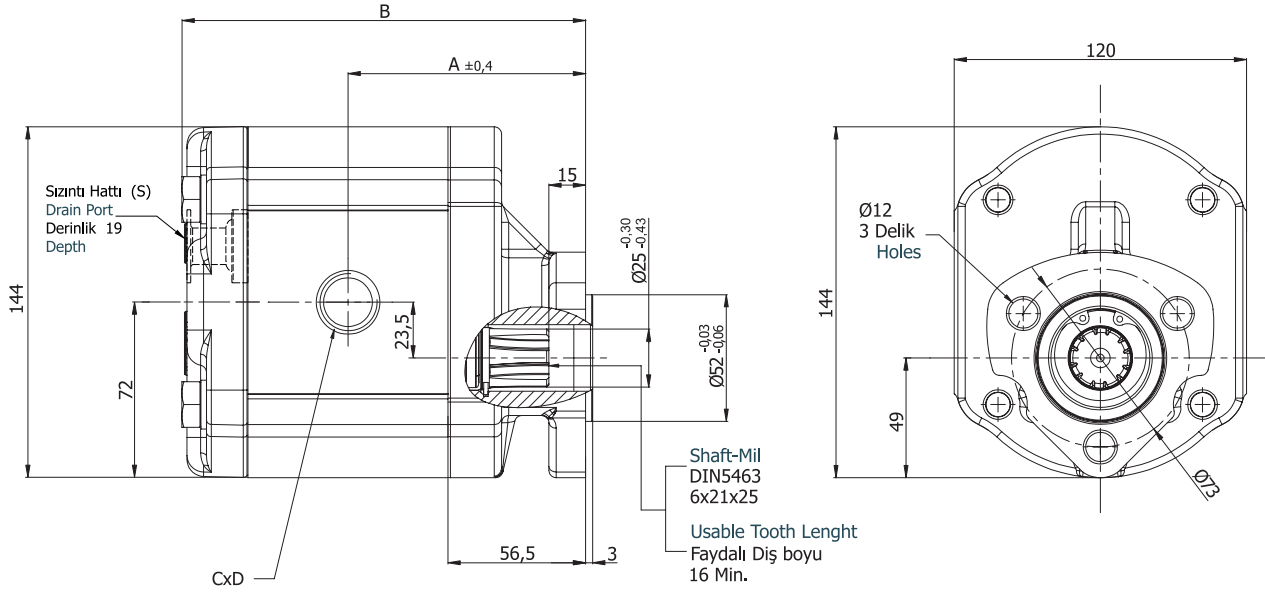
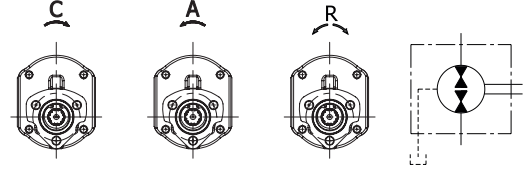
**P** Şaft Tipi  
Shaft Type



Motor Tipi Motor Type	İletim Hacmi Displacement cm <sup>3</sup> /dev(cm <sup>3</sup> /rev)	Maks. Basınç Max. Pressure (bar)	Maks. Hız Max. Speed d/d (rpm)	A ±0,4	B	Giriş – Inlet		Sızıntı - Drain
						C	E	S
APM30.170.RHP05EGN	17,0	250	3000	94,5	159,1	30,5	G1"	G 3/8"
APM30.220.RHP05EGN	22,0			96,5	163,1			
APM30.270.RHP05EGN	27,0			98,0	166,1			
APM30.320.RHP05EGN	32,0	240		99,5	169,1			
APM30.340.RHP05EGN	34,0			100,0	170,1			
APM30.380.RHP05EGN	38,0			101,5	173,1			
APM30.430.RHP05EGN	43,0	230	2500	103,0	176,1	39	G 1 1/4"	
APM30.470.RHP05EGN	47,0			104,5	179,1			
APM30.510.RHP05EGN	51,0			105,5	181,1			
APM30.560.RHP05EGN	56,0	200		106,5	183,1			
APM30.610.RHP05EGN	61,0	180		109,0	188,1			
APM30.730.RHP05EGN	73,0	170		1500	112,0			
APM30.820.RHP05EGN	82,0	160	115,0		201,1			
APM30.900.RHP05EGN	90,0	150	118,0		207,1			
APM30.1000.RHP05EGN	100,0	140	121,0		213,1			

**S** Ön Kapak  
Front Cover

**U** Şaft Tipi  
Shaft Type



Motor Tipi Motor Type	İletim Hacmi Displacement cm <sup>3</sup> /dev(cm <sup>3</sup> /rev)	Maks. Basınç Max. Pressure (bar)	Maks. Hız Max. Speed d/d (rpm)	A ±0,4	B	Giriş – Inlet		Sızıntı - Drain
						C	E	S
APM30.170.RSU05EGN	17,0	250	3000	94,0	158,6	30,5	G1"	G 3/8"
APM30.220.RSU05EGN	22,0			96,0	162,6			
APM30.270.RSU05EGN	27,0			97,5	165,6			
APM30.320.RSU05EGN	32,0			99,0	168,6			
APM30.340.RSU05EGN	34,0			99,5	169,6			
APM30.380.RSU05EGN	38,0			101,0	172,6			
APM30.430.RSU05EGN	43,0	230	2500	102,5	175,6	39	G 1 1/4"	
APM30.470.RSU05EGN	47,0			104,0	178,6			
APM30.510.RSU05EGN	51,0			105,0	180,6			
APM30.560.RSU05EGN	56,0	200	2500	106,0	182,6	45	G 1 1/2"	
APM30.610.RSU05EGN	61,0	180	1750	108,5	187,6			
APM30.730.RSU05EGN	73,0	170	1500	111,5	194,6			
APM30.820.RSU05EGN	82,0	160		114,5	200,6			
APM30.900.RSU05EGN	90,0	150		117,5	206,6			
APM30.1000.RSU05EGN	100,0	140	1750	120,5	212,6			