



Every Machine Deserves High Efficiency

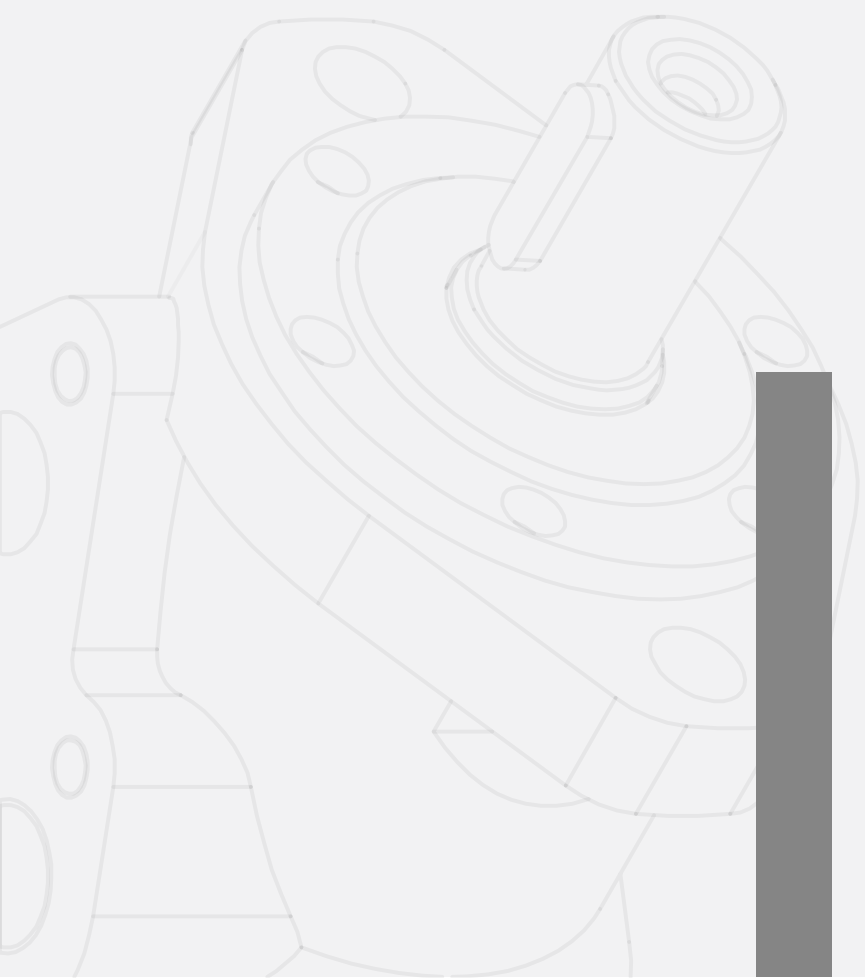
Her Makine Verimliliği Hak Eder

blueascend.com

orbital motors
technical catalogue



**blue
ascend**
hydraulics





04 GMP Series

05 GMR Series

06 GMH Series

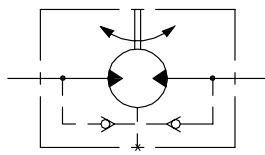
07 GMS Series

08 GMT Series

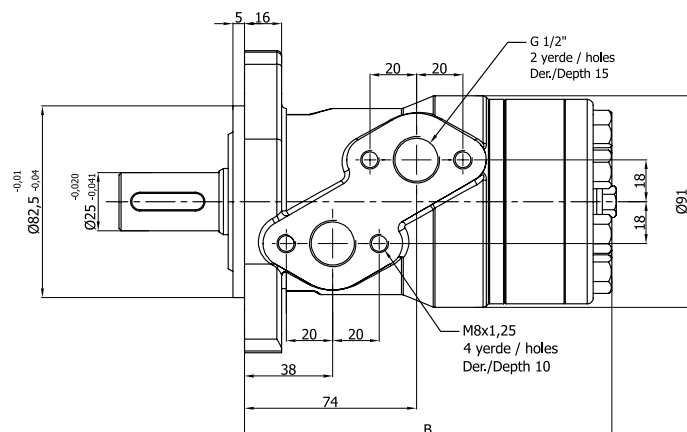
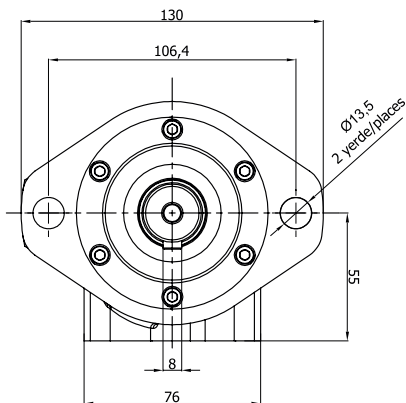
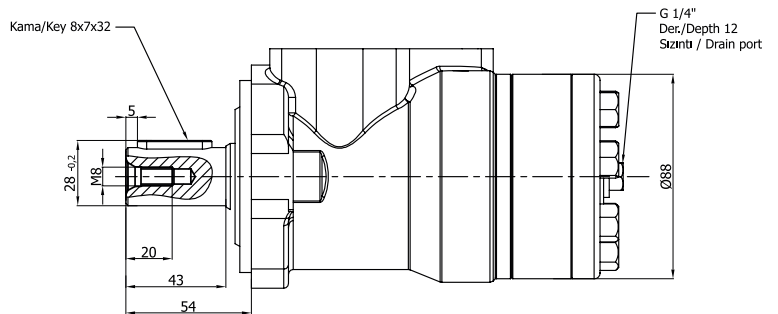




Motor Type	Displacement (cm ³ /rev)	Max. Speed (rpm)	Max. Pressure (bar)	Max. Torque (Nm)	L	Weight (kg)
GMP.050.RDHG12EGN	52,9	800	125	104	141	5,6
GMP.080.RDHG12EGN	79,3	770	125	157	145	5,7
GMP.100.RDHG12EGN	98,2	615	125	197	147	5,9
GMP.125.RDHG12EGN	120,9	480	125	238	150	6,0
GMP.160.RDHG12EGN	158,7	385	115	305	155	6,2
GMP.200.RDHG12EGN	196,4	310	110	358	160	6,4
GMP.250.RDHG12EGN	241,8	250	100	417	166	6,6
GMP.315.RDHG12EGN	317,3	195	90	413	176	6,9
GMP.400.RDHG12EGN	392,9	155	70	429	186	7,4

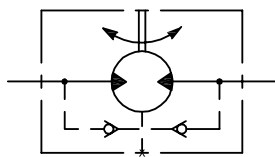


CIRCUIT DIAGRAM

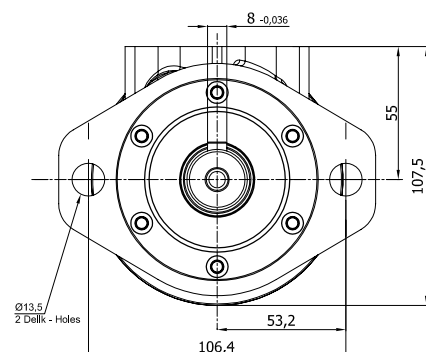
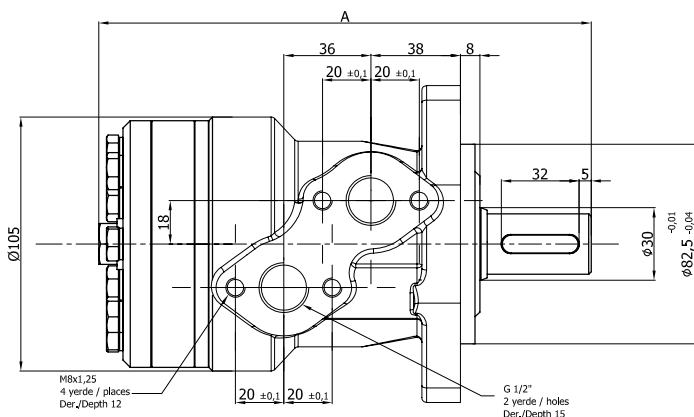
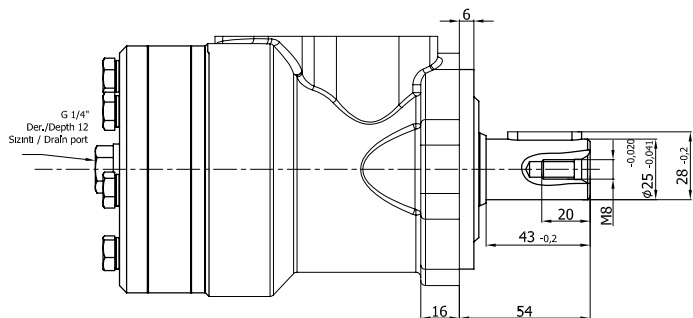




Motor Type	Displacement (cm ³ /rev)	Max. Speed (rpm)	Max. Pressure (bar)	Max. Torque (Nm)	L	Weight (kg)
GMR.032.RDHG12EGN	32,0	800	140	60	139	6,2
GMR.050.RDHG12EGN	51,7	775	140	93	142	6,5
GMR.080.RDHG12EGN	80,5	750	140	152	147	6,9
GMR.100.RDHG12EGN	100,5	600	140	194	151	7,0
GMR.125.RDHG12EGN	126,3	475	140	237	155	7,3
GMR.160.RDHG12EGN	160,8	375	140	310	161	7,5
GMR.200.RDHG12EGN	200,9	300	140	369	168	8,0
GMR.350.RDHG12EGN	252,6	240	110	380	177	8,5
GMR.315.RDHG12EGN	321,5	190	90	380	189	9,0
GMR.400.RDHG12EGN	401,9	160	70	380	203	11,0

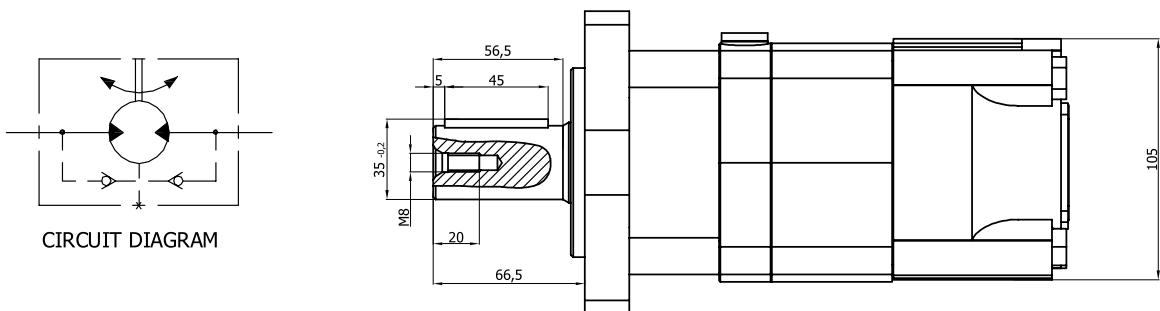


CIRCUIT DIAGRAM

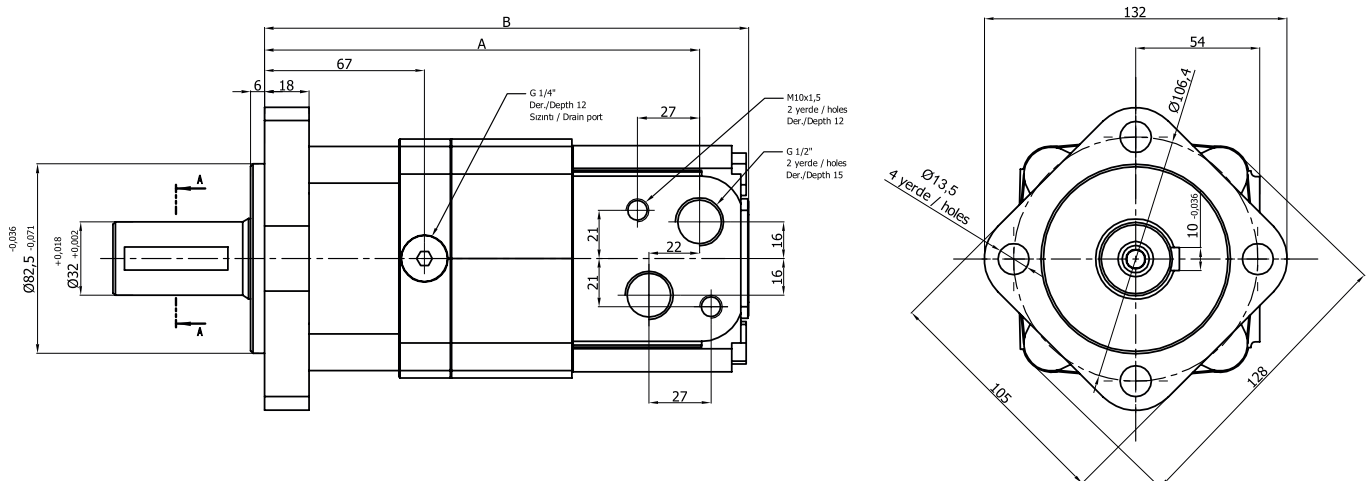




Motor Type	Displacement (cm ³ /rev)	Max. Speed (rpm)	Max. Pressure (bar)	Max. Torque (Nm)	A	B	Weight (kg)
GMS.080.RNPG12EGN	80,5	810	175	194	146,0	9,8	9,8
GMS.100.RNPG12EGN	100,5	750	175	242	149,5	10,0	10,0
GMS.125.RNPG12EGN	126,3	600	175	303	154,0	10,3	10,3
GMS.160.RNPG12EGN	160,8	470	160	358	160,0	10,7	10,7
GMS.200.RNPG12EGN	200,9	375	160	438	167,0	11,1	11,1
GMS.250.RNPG12EGN	252,6	300	125	440	176,0	11,6	11,6
GMS.315.RNPG12EGN	321,5	240	125	551	188,0	12,3	12,3
GMS.400.RNPG12EGN	401,9	180	100	560	202,0	13,1	13,1

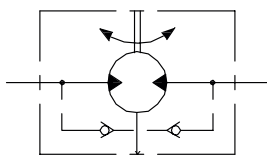


CIRCUIT DIAGRAM

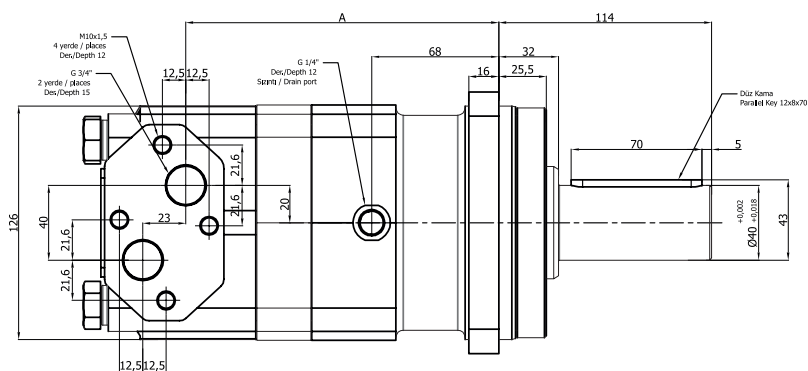
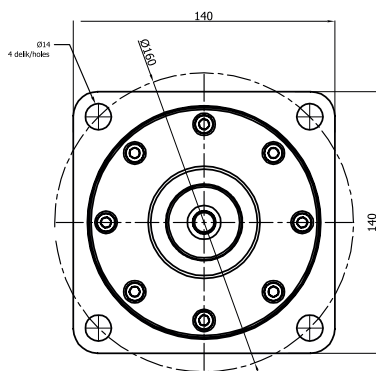
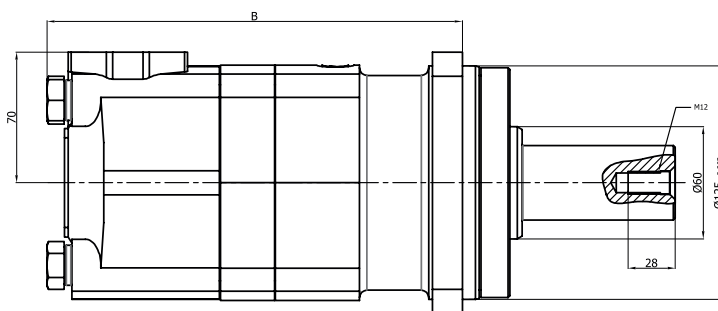




Motor Type	Displacement (cm ³ /rev)	Max. Speed (rpm)	Max. Pressure (bar)	Max. Torque (Nm)	A	B	Weight (kg)
GMT.160.RN1H1G34EGN	158,8	625	240	559	150,0	20,3	20,3
GMT.200.RN1H1G34EGN	200,8	500	240	714	155,0	20,8	20,8
GMT.250.RN1H1G34EGN	252,2	400	240	883	160,0	21,4	21,4
GMT.320.RN1H1G34EGN	317,5	312	230	1095	167,0	22,4	22,4
GMT.400.RN1H1G34EGN	401,6	250	210	1255	176,0	23,0	23,0
GMT.500.RN1H1G34EGN	535,3	175	180	1377	195,0	24,0	24,0



CIRCUIT DIAGRAM



The Future of Hydraulic Power

Hidrolik Gücün Geleceđi

blueascend.com

 **blue**
ascend
hydraulics

Konya Organize San. Böl. Evrenköy Cd.
No: 31 Selçuklu / Konya Türkiye
Tel: +90 332 239 25 41 (3 line)
Fax: +90 332 239 25 44
info@blueascend.com